

The Future of Refraction



The Exam-5000 Refraction System is the ultimate computerized refraction system for you and your patient.

Customized refraction programs and onscreen technician scripts ensure fast, accurate refractions every time

Small optical head enhances patient comfort and communication

Wheelchair accessible

Paperless solution

No hassle on-site training ensures customized operation within your practice

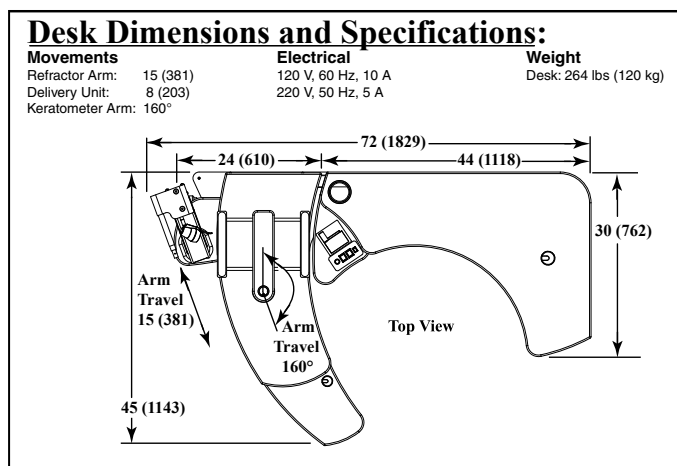


Improved Efficiency with Maximum Performance

The Exam 5000 Refraction System is the leading technology for refraction testing, with incredible benefits. Easy to use functions include color coded cross cylinder lens and corneal illumination. First class performance, with highly efficient functions, speedy response, and user friendly operation.

Fast, Easy and Accurate Refractions

Space Requirements



Specifications

| Feature | EXAM-5000 RefractionSystem |
|---|----------------------------|
| Ergonomic One-Dial controller with large color touch screen | YES |
| Automatic data input from pre-test instruments | YES |
| Record a full 21 point refraction | YES |
| Color-coded cross cylinder | YES |
| Near test convergence | YES |
| Compact 6' x 7' foot print | YES |
| Powered desk elevation | YES |
| Powered vision tester arm | YES |
| Wheelchair accessible | YES |
| Customizable refraction programs | YES |
| Customizable on-screen technician scripts | YES |
| Paperless solution | YES |
| No Hassle on-site user training | YES |
| Small optical head enhances patient comfort and communication | YES |
| EMR ready | YES |
| Interactive patient education software | YES |

Topcon Medical Systems, Inc.
 37 West Century Road
 Paramus, NJ 07652
 1-800-223-1130
 TopconMedical.com

