

OPERATION MICROSCOPE
OVS-90



An innovative concept providing optimal observation and versatile operation

*The following unique features are
incorporated in the new OMS-90
Operation Microscope:*

New Coaxial Illumination

Stain-proof Coated Objective Lens

Parallel Binocular Tube

PD Adjustment Knob

Built-in Yellow Filter

Compact Base

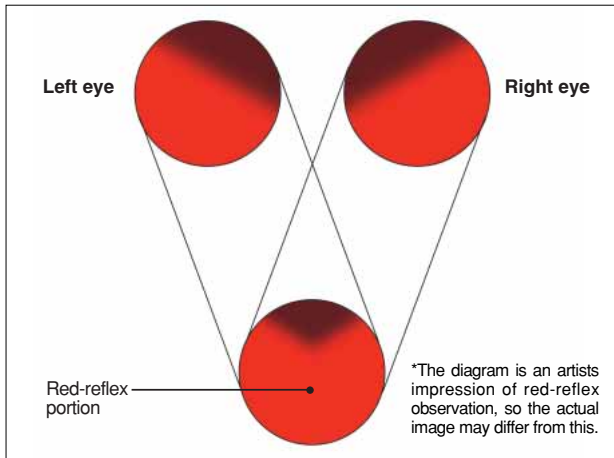
OMS-90
OPERATION MICROSCOPE

*The above photo contains
optional accessories.

• Features •

● New Coaxial Illumination

The newly designed illumination system of the OMS-90 assures the finest optical performance. The optical system has been fitted with a new and innovative design that allows the surgeon to view a sharper image, with more clarity than ever before.



The illumination system of the OMS-90 produces a superior red-reflex image for assistance in surgical procedures. As shown in the diagram, the innovative system design merges two improved field of views to produce an enhanced red-reflex and unparallelled image quality.

● Stain-proof Coated Objective Lens (F=200mm)

The newly developed stain-proof coating is applied to help retain a clear viewing area. The focal length (F=200mm) provides the standardized comfortable working distance.

● Parallel Binocular Tube

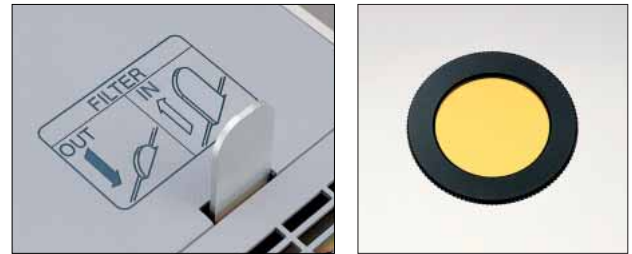
The parallel binocular tube provides a natural stereoscopic view.

● PD Adjustment Knob

The built-in PD adjustment feature offers easy alignment.

● Built-in Yellow Filter

The flip in/out yellow filter is built into the system to allow full protection against retina phototoxicity.

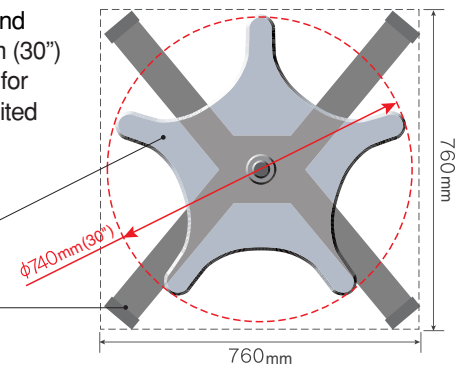


● Compact Base

The new sturdy and compact $\phi 740\text{mm}$ (30") base is designed for optimal use of limited operating room floor space.

OMS-90

Previous model



• Optional Accessories •

■ X-Y Translator

The X-Y translator adapter provides precise movement around the surgical field. A one-touch re-centering button is provided.



■ Assistant's Microscope

The parallel binocular assistant's microscope provides easy positioning, a wide field of view and 30 degrees of rotation.



■ Beam Splitter (80/20 or 50/50)

An 80/20 or a 50/50 beam splitter is available for the attachment of documentation devices.

■ Oblique Illuminator

The oblique illuminator offers a supplemental light source for indirect illumination. The slit will rotate 30 degrees and adjust from 0 to 20mm in width.



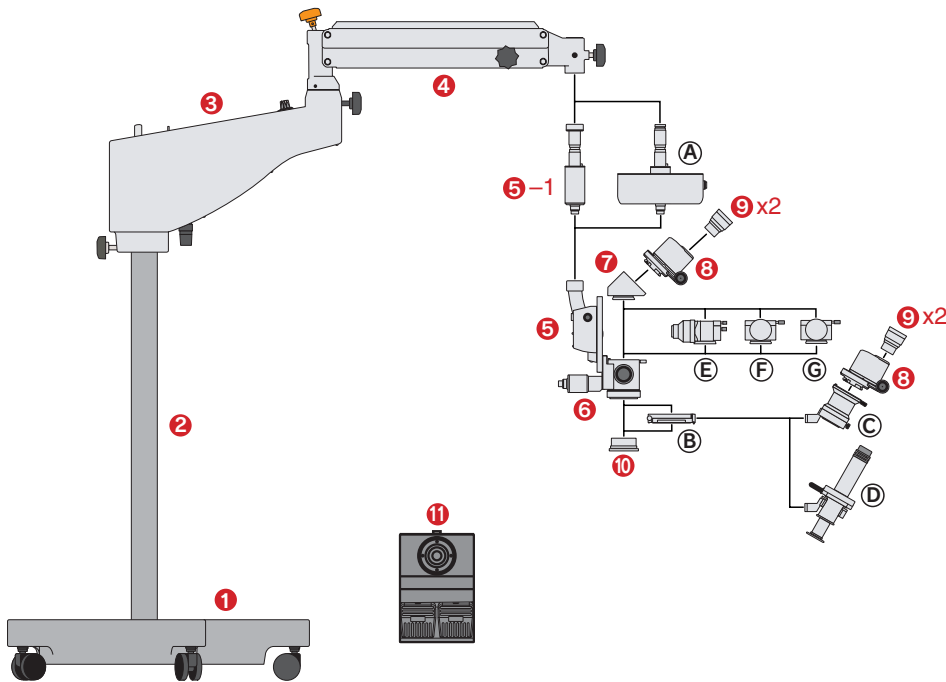
■ Accessory Adapter Model 2

The accessory adapter is required to attach the assistant's microscope and/or the oblique illuminator to the OMS-90.

■ 1/2 TV Attachment

The 1/2 TV attachment incorporates a built-in beam splitter and lets the user connect a 1/2 inch C-mount camera to the OMS-90.

System Chart



- ①----- Base
- ②----- Column
- ③----- 1st Arm
- ④----- 2nd Arm
- ⑤----- Focusing Unit
- ⑤-1----- Joint Arm
- ⑥----- Microscope Body
- ⑦----- 45° Inclined Adapter
- ⑧----- Parallel Binocular Tube
- ⑨----- 12.5X Eyepiece
- ⑩----- F=200mm Objective Lens
- ⑪----- Foot Switch

< Optional Accessories >

- Ⓐ----- X-Y Translator
- Ⓑ----- Accessory Adapter Model 2
- Ⓒ----- Assistant's Microscope
- Ⓓ----- Oblique Illuminator
- Ⓔ----- 1/2 TV Attachment
- Ⓕ----- Beam Splitter(80/20)
- Ⓖ----- Beam Splitter(50/50)

Specifications

Main microscope

| | |
|----------------------------------|---|
| Binocular tube | Parallel 45° inclined binocular tube |
| Objective lens | F=200mm |
| Eyepieces | 12.5x |
| Magnification change type | Drum type with 5 changes |
| Total magnification | 3.4x, 5.3x, 8.5x, 13.6x, 21.2x |
| Field of view | φ 66.3, φ 42.3, φ 26.3, φ 17.1, φ 10.3 mm |
| X-Y Translator (option) | Range:±25mm |

Illumination

| | |
|---------------------|---|
| Light source | 12V 100W halogen lamp (light guided system) (one-touch changeable two lamps) |
| Filter | Built-in:Heat-absorbing and UV cut filters Flip-in/out :Yellow filter |

Arm(counter-balanced)

| | |
|-------------------------|------------------------------|
| Length | 1st arm:400mm; 2nd arm:560mm |
| Rotational angle | 1st arm:360°; 2nd arm:300° |

Column base

| | |
|-----------------------|---------------|
| Base dimension | φ 740mm (30") |
|-----------------------|---------------|

Power unit

| | |
|----------------------------------|--------------------------|
| Primary voltage | AC100~120V or AC220~240V |
| Power frequency | 50/60Hz |
| Maximum power consumption | 280VA |

Weight

| | |
|---------------|------|
| Weight | 97kg |
|---------------|------|

*Subject to change in design
and/or specifications
without advanced notice.

IMPORTANT

In order to obtain the best results with this instrument,
please be sure to review all user instructions prior to operation.